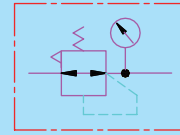




AIR FILTER

DRV

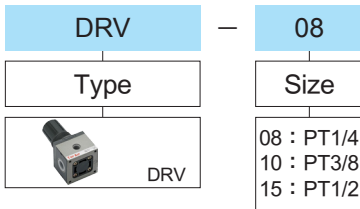


JIS symbol

Specifications

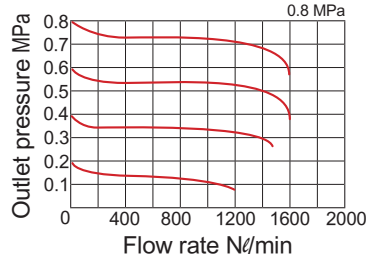
Type	DRV-08	DRV-10	DRV-15
Port size	Rc (PT) 1 / 4	Rc (PT) 3 / 8	Rc (PT) 1 / 2
The range of pressure	0.5 ~ 10.2 kgf/cm ²		
Proof pressure	16.3 kgf/cm ²		
The range of temperature	0 ~ +60 °C (No freezing)		

How to order

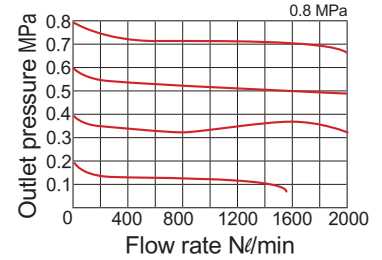


Flow characteristics

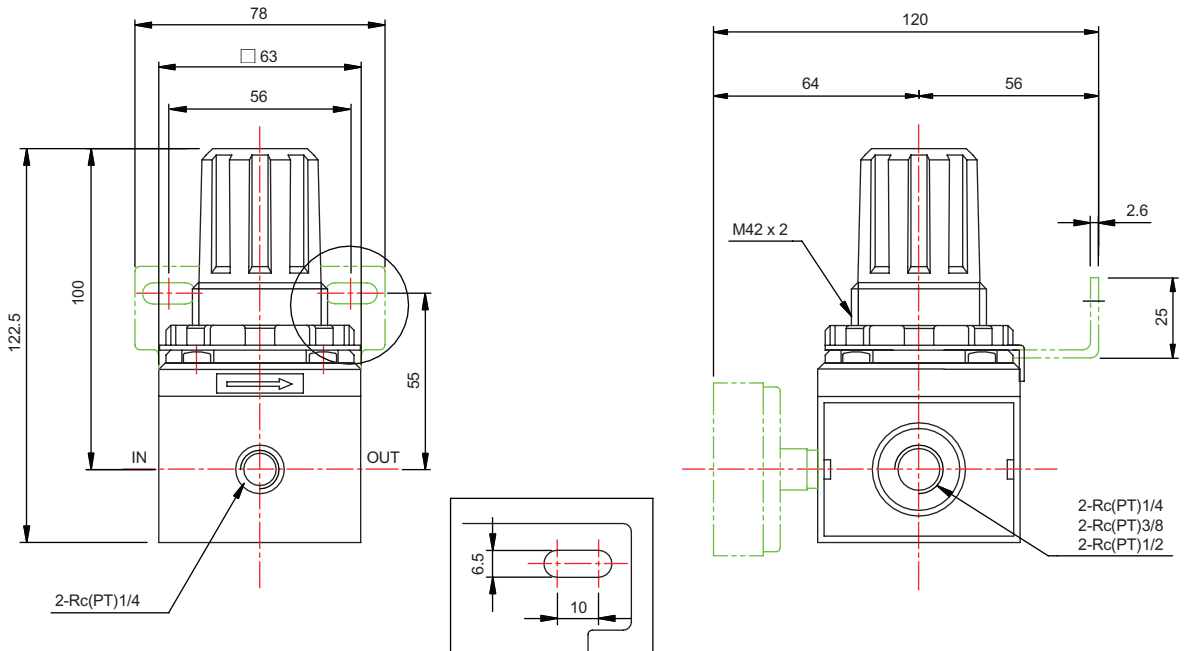
● DRV-06



● DRV-08



DRV Dimensional features



Note : With auto drain