

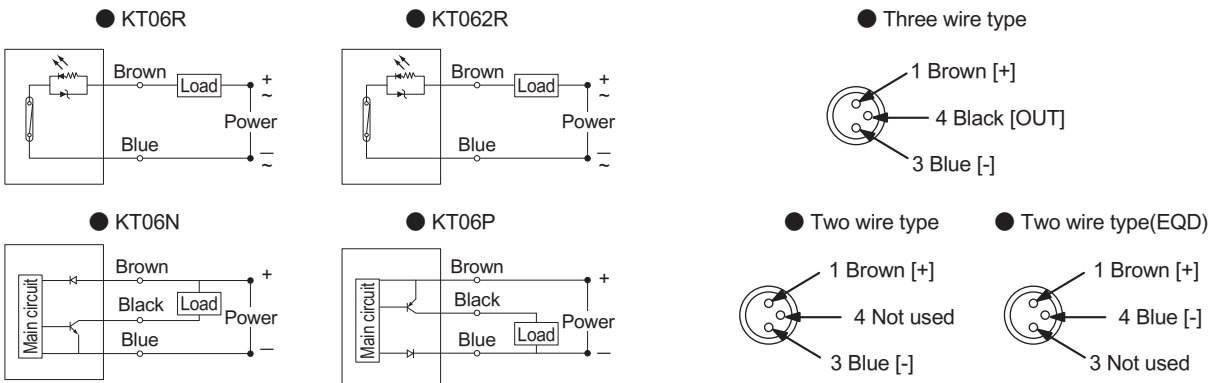


Specification

Type	KT06R	KT062R	KT06N	KT06P
Wiring system	Two wire type		Three wire type	
Switching logic	SPST, Normally open		Solid state output, Normally open	
Sensor type	Reed switch		NPN Current sinking	PNP Current sourcing
Operating voltage	DC/AC 5 ~ 120V	DC/AC 5 ~ 240V	DC 5 ~ 30V	
Switching current	100mA max.		200mA max.	
Switching rating (P=V×I)	10W max.		6W max.	
Internal voltage drop	3.5V max.		1V @ 200mA max.	
Indicator lamp	Red LED	Green LED	Red LED	Green LED
Cable	φ2.8, 2C, PUR		φ2.8, 3C, PUR	
Temperature range	-10 ~ +70°C			
Enclosure classification	IEC 529 IP 67			
Protection circuit	None		Reserve polarity, short-circuit ; Power source reverse polarity ; Surge suppression	

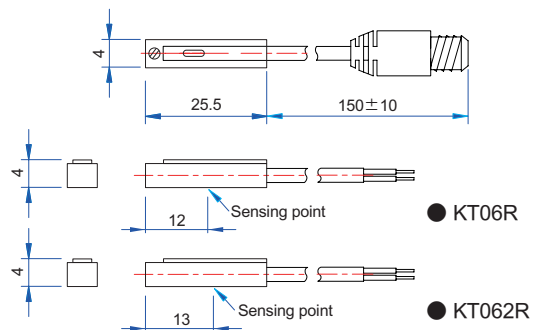
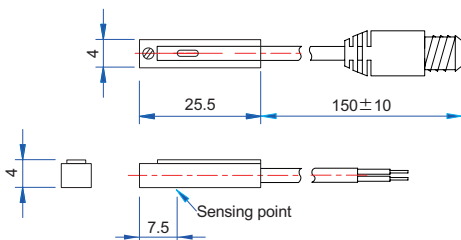
Connect diagram

Pinout



KT06N / KT06P Standard and wiring / Dimension

KT06R / KT062R / KT06D Standard and wiring / Dimension



Cylinder mode

DST-B、DST-S