





DOUBLE ACTING STANDARD TYPE **DS-1G**

DOUBLE ACTING-SINGLE END ROD TYPE (PISTON WITH MAGNET) **DS-1RG**

Specification

Type	DS-1G	DS-1RG
Bore	Φ 20、25、32、40、50、63、100	
Power fluid	Filtered air with lubrication	
The range of pressure	1 ~ 9.9 kgf/cm ²	
Proof pressure	15 kgf/cm ²	
The range of temperature	-20 ~ +80 °C (No freezing)	
Piston speed	50 ~ 750 mm/s	
Material of cylinder barrel	Aluminium extrusion, anodised 20 microns	

How to order

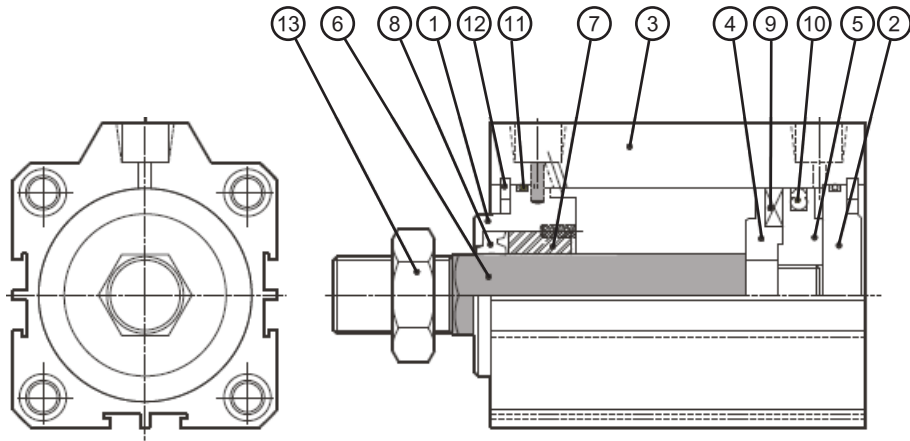
DS-1G	SD	20	N	50	-	T	-	A	2
Type		Bore	Cushion	Stroke		Port thread		Sensor switch	Quantity
 DS-1G		20 : Φ20 25 : Φ25 32 : Φ32 40 : Φ40 50 : Φ50 63 : Φ63 80 : Φ80 100 : Φ100	N : No cushion	Please see stroke table		No code : Female thread T : Male thread		KT11R	1 : 1pc 2 : 2pcs
 DS-1RG									

Stroke table

Bore	Stroke (mm)
Φ 20、25、32	5,10,15,20,25,30,40,50
Φ 50、63、80、100	10,20,25,30,40,50,75,100

DS-1G \ DS-1RG

Inside structure


Parts list

No.	Part name	Quantity	No.	Part name	Quantity	No.	Part name	Quantity
1	Rod cover	1	6	Piston rod	1	11	Cover o-ring	2
2	Head cover	1	7	Cover bushing	1	12	C snap ring	2
3	Body	1	8	Rod seal	1	13	Rod nut	1
4	Front piston	1	9	Magnet	1			
5	Rear piston	1	10	Piston packing	1			

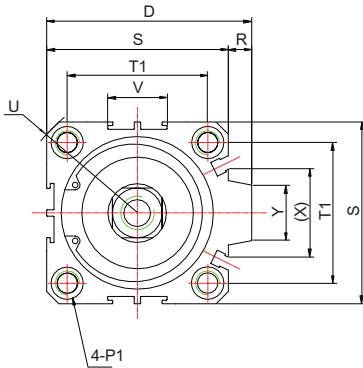
Seal specifications

Bore	⑧ Rod seal		⑩ Piston packing		⑪ Cover o-ring	
	Part name	Quantity	Part name	Quantity	Part name	Quantity
Φ20	KC 7.4	1	APA 20	1	SM 18	2
Φ25	KC 7.4	1	APA 25	1	SM 25	2
Φ32	KC 10	1	APA 32	1	SM 30	2
Φ40	PGR 14	1	APA 40	1	SM 38	2
Φ50	PGR 19	1	APA 50	1	SM 46	2
Φ63	PGR 19	1	APA 63	1	SM 60	2
Φ80	PGR 23	1	APA 80	1	SM 75	2
Φ100	PGR 23	1	APA 100	1	G 95	2

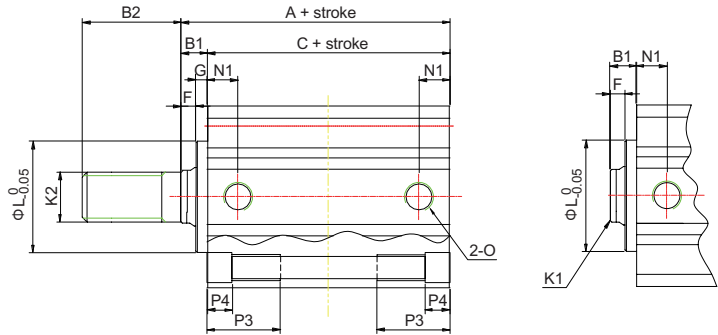
DS-1G / DS-1RG

Dimensional features

● Male thread



● Female thread



Dimensional table

Mark Bore	Female thread		Male thread		A	C	D	F	G	L	N1	O	R
	B1	K1	B2	K2									
Φ20	5.5	M4x0.7 deep 8	15	M6x1.0	45	39.5	36	4	1.5	19	8.5	M5x0.8	2
Φ25	6	M5x0.8 deep 10	17	M6x1.0	47	41	42	4	2	20	8.5	M5x0.8	2
Φ32	7	M6x1.0 deep 12	18	M10x1.25	51.5	44.5	50	4	3	24	10	RC1/8	6
Φ40	7	M8x1.25 deep 12	28	M14x1.5	53	46	58.5	4	3	28	10	RC1/8	6.5
Φ50	9	M10x1.5 deep 15	28	M18x1.5	57	48	71.5	5	4	38	11	RC1/4	9.5
Φ63	9	M10x1.5 deep 15	28	M18x1.5	61	52	84.5	5	4	40	12	RC1/4	9.5
Φ80	11	M14x1.5 deep 20	33	M22x1.5	72	61	104	6	5	45	14.5	RC3/8	10
Φ100	12	M18x1.5 deep 20	33	M22x1.5	83	71	124	7	5	55	19.5	RC3/8	10

Mark Bore	S	T1	U	V	X	Y	P3	P4	P1
Φ20	34	24	R22	7.4	12.3	10	10.5	3.5	Φ 3.5 through , Φ6 hole (2 sides) M5x0.8(2 sides)
Φ25	40	28	R25	7.4	12.3	10	14.5	5.5	Φ 4.6 through, Φ8 hole(2 sides) M6x1.0(2 sides)
Φ32	44	34	R29.5	10	22.9	16	14.5	5.5	Φ 4.6 through , Φ8 hole (2 sides) M6x1.0(2 sides)
Φ40	52	40	R35	14	23.5	16	19.5	7.5	Φ 5.7 through, Φ9.5 hole (2 sides) M8x1.25(2 sides)
Φ50	62	48	R41	19	31	20	20.5	8.5	Φ 6.8 through, Φ 11 hole (2 sides) M8x1.25(2 sides)
Φ63	75	60	R50	19	31	20	20.5	8.5	Φ 6.8 through, Φ 11 hole (2 sides) M8x1.25(2 sides)
Φ80	94	74	R62	23	37.5	26	28.5	10.5	Φ 9.2 through, Φ 14 hole (2 sides) M12x1.75(2 sides)
Φ100	114	90	R75	23	37.5	26	34	13	Φ 11.3 through, Φ 17.5 hole (2 sides) M14x2.0(2 sides)