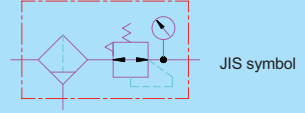




FILTER REGULATOR

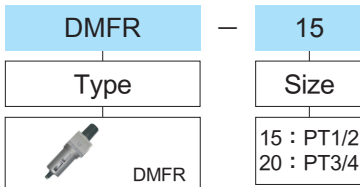
DMFR



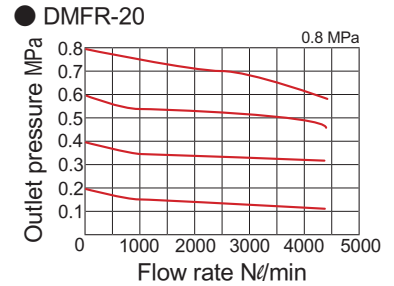
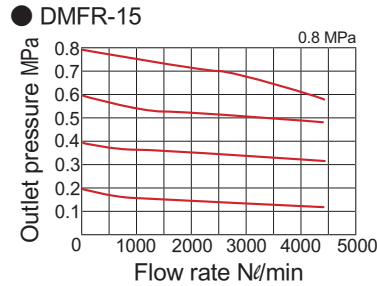
Specifications

Type	DMFR-15	DMFR-20
Port size	Rc (PT) 1 / 2	Rc (PT) 3 / 4
The range of pressure	0.5 ~ 10.2 kgf/cm ²	
Proof pressure	16.3 kgf/cm ²	
The range of temperature	0 ~ +60 °C (No freezing)	
Filter element	Standard : 40 μm	Option : 5 μm
Filter capacity	60 c.c	

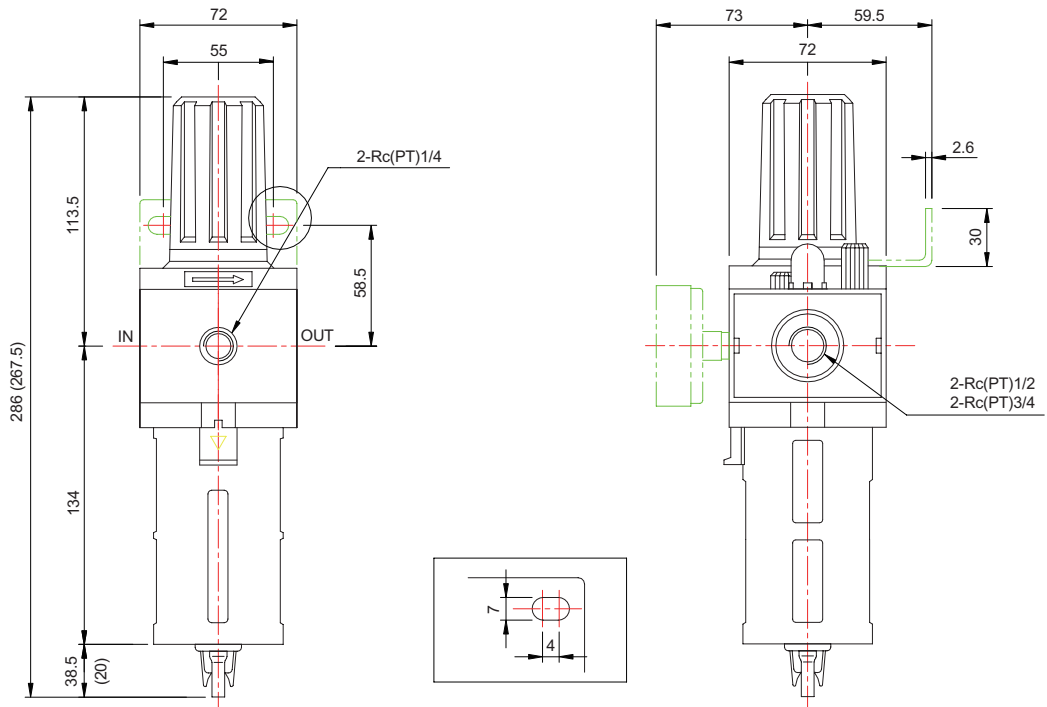
How to order



Flow characteristics



DMFR Dimensional features



Note : with auto drain