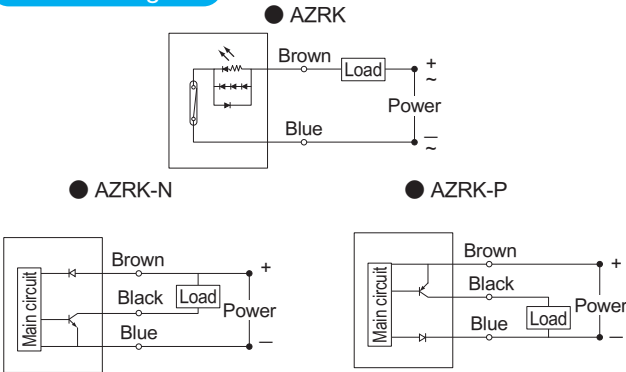




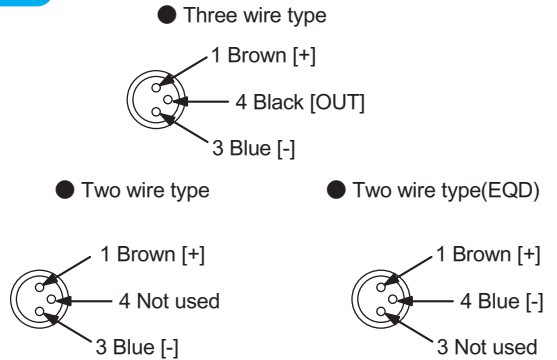
Specification

Type	AZRK	AZRK-N	AZRK-P
Wiring system	Two wire type	Three wire type	
Switching logic	SPST, Normally open	Solid state output, Normally open	
Sensor type	Reed switch	NPN Current sinking	PNP Current sourcing
Operating voltage	DC/AC 5 ~ 240V	DC 5 ~ 30V	
Switching current	500mA max.	200mA max.	
Switching rating (P=V×I)	10W max.	6W max.	
Internal voltage drop	3.0V max.	2.0V max.	2.5V max.
Indicator lamp	Red LED		
Cable	φ 2.8 , 2C , PUR	φ 2.8 , 3C , PUR	
Temperature range	-10 ~ +70°C		
Enclosure classification	IEC 529 IP 67		
Protection circuit	None	Reserve polarity, short-circuit ; Power source reverse polarity ; Surge suppression	

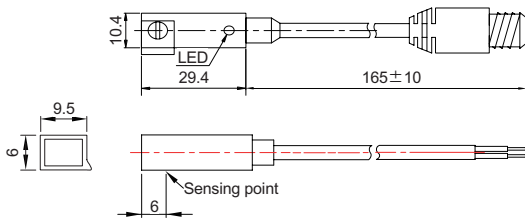
Connect diagram



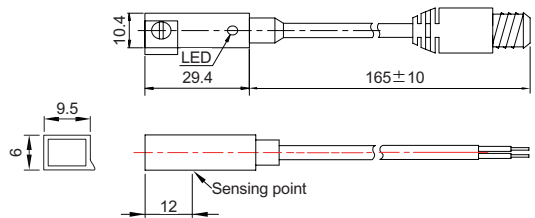
Pinout



AZRK-N / AZRK-P Standard and wiring / Dimension



AZRK Standard and wiring / Dimension



Cylinder mode

AZ、AZD、AZN、AZE、AZZ、AZF、AZL、AZK、AZB、AZS、AZSD、AZSN、10ZGK(Suited for φ 32~63)、AZGK(Suited for φ 32~63)、AZGB(Suited for φ 32~63)、AZGU(Suited for φ 32~63)、AZRH、AZRF、AZH、AZHD、AZHN、HBPH(Suited for 078~110)、HPBD(Suited for 078~110)