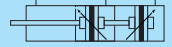




MULTIPLE POSITION CYLINDERS

- STANDARD TYPE **AZF**

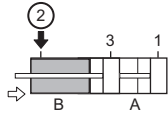


TANDEM CYLINDERS

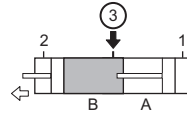
- STANDARD TYPE **AZL**



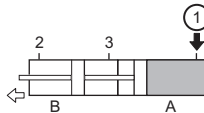
Explain



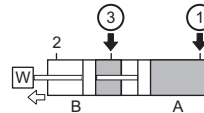
② intake A, B cylinders retracted



③ intake B cylinder extended



① intake A cylinder extended


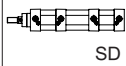
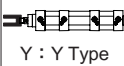
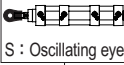






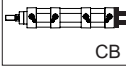




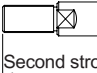
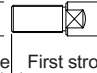
① ③ intake on the same time, cylinder with double output.
Note : Two trips must be the same.

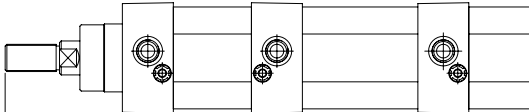
Specification

Type	AZF	AZL
Bore	Φ32、40、50、63、80、100	
Power fluid	Filtered air with or without lubrication	
The range of pressure	1.02 ~ 10.5 kgf/cm ²	
The range of temperature	-10 ~ +60 °C (Don't freeze)	
Material of cylinder barrel	Aluminium extrusion, Anodised 20 microns	

How to order

AZF	SD	50	B	50	Y	A	1
Type	Holder	Bore	Cushion	Stroke	Accessories	Sensor switch	Quantity
 AZF	 SD	32 : Φ32 40 : Φ40 50 : Φ50 63 : Φ63 80 : Φ80 100 : Φ100	B : with cushion	Stroke by request	 Y : Y Type  S : Oscillating eye  F : Compensating joint	 AZRK	1 : 1pc 2 : 2pcs
 AZL	 FA						
	 FB						
	 CA						
	 CB						
	 LB						
	 TC						

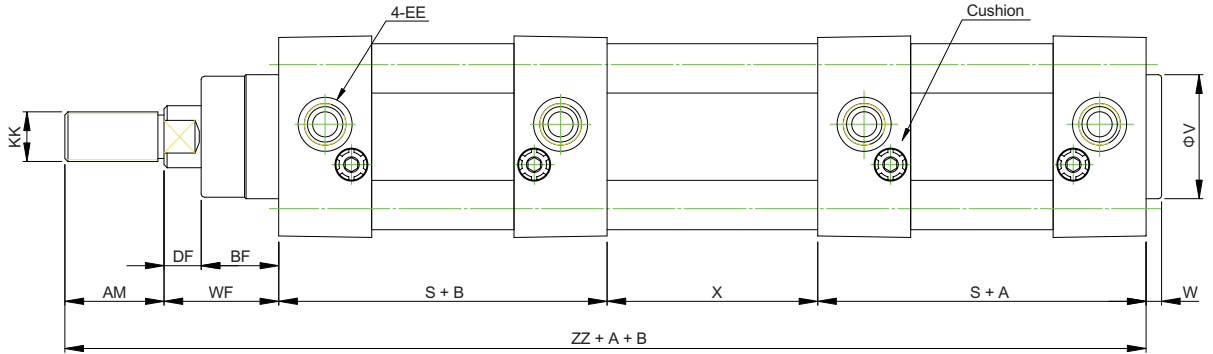
 Second stroke
  First stroke



AZF Multiple position cylinders - standard type / Dimensional features

A = First stroke

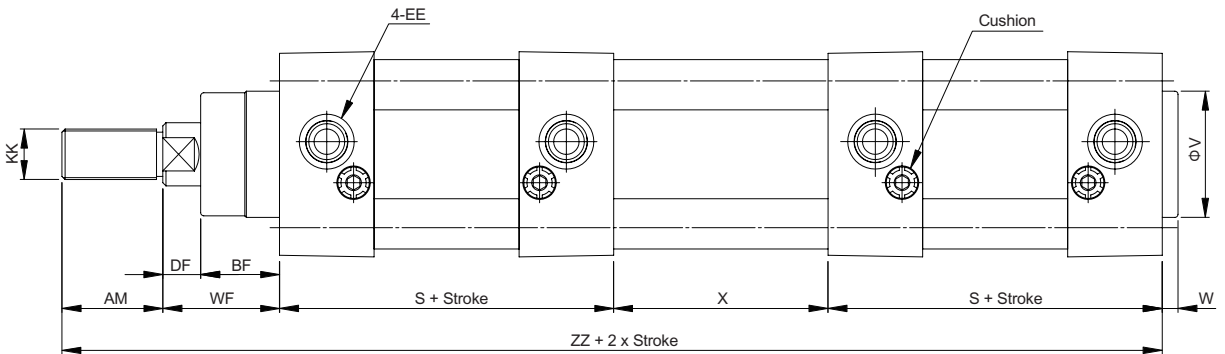
B = Second stroke + First stroke



Dimensional Table

Mark Bore	AM	BF	DF	EE	KK	S	V	W	WF	X	ZZ
Φ 32	22	16	10	G 1/8	M10x1.25	94	30	4	26	55	291
Φ 40	24	20	10	G 1/4	M12x1.25	105	35	5	30	55	319
Φ 50	32	25	12	G 1/4	M16x1.5	106	40	5	37	68	349
Φ 63	32	25	12	G 3/8	M16x1.5	121	45	5	37	68	379
Φ 80	40	32	14	G 3/8	M20x1.5	128	45	6	46	92	434
Φ 100	40	35	16	G 1/2	M20x1.5	138	55	6	51	92	459

AZL Tandem cylinders - standard type / Dimensional features



Dimensional Table

Mark Bore	AM	BF	DF	EE	KK	S	V	W	WF	X	ZZ
Φ 32	22	16	10	G 1/8	M10x1.25	94	30	4	26	55	291
Φ 40	24	20	10	G 1/4	M12x1.25	105	35	5	30	55	319
Φ 50	32	25	12	G 1/4	M16x1.5	106	40	5	37	68	349
Φ 63	32	25	12	G 3/8	M16x1.5	121	45	5	37	68	379
Φ 80	40	32	14	G 3/8	M20x1.5	128	45	6	46	92	434
Φ 100	40	35	16	G 1/2	M20x1.5	138	55	6	51	92	459