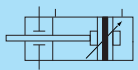


DOUBLE ACTING TYPE.....AZB.....



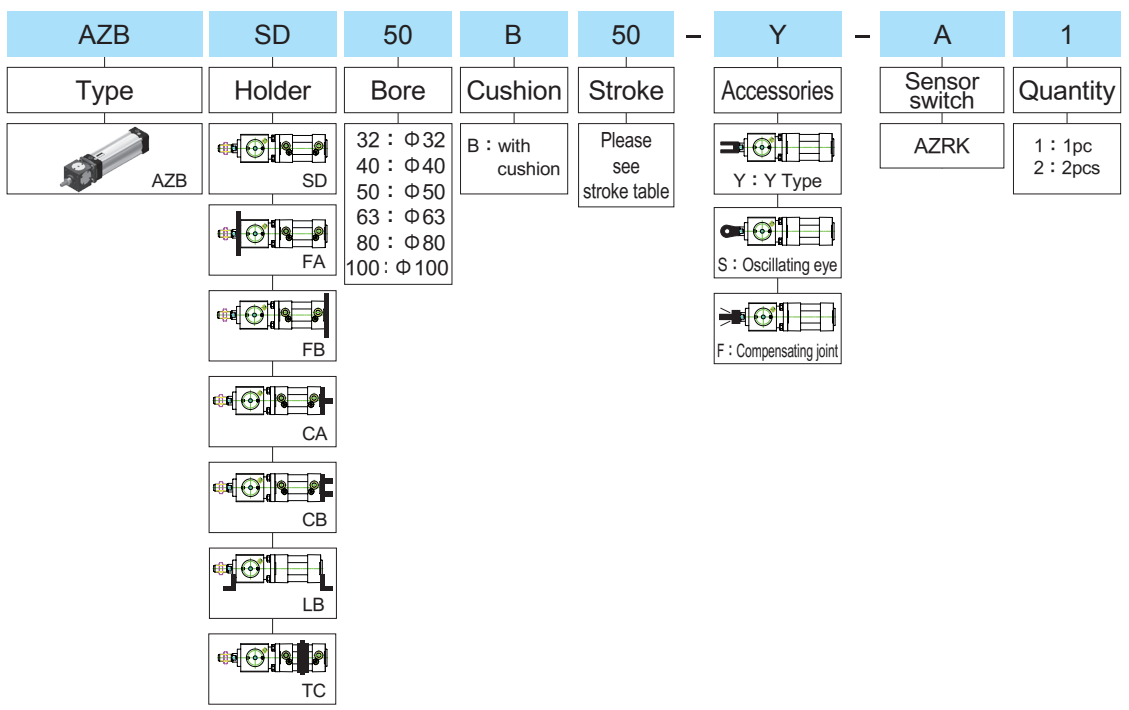
Features

- Hard anodised aluminium cylinder tubes offer a high resistance to corrosion and low internal friction.

Specification

Type	AZB						
Bore	Φ 32、40、50、63、80、100						
Power fluid	Filtered air with or without lubrication						
The range of pressure	4 ~ 6.5 kgf/cm ²						
Brake Low. Pressure(kgf/cm ²)	4	4	3.5	3.5	3	3	
Brake direction(kgf)	Two-way						
Brake retention(The Max. static load- horizontal installation)	52	88	137	206	310	471	
Brake stop precision (mm)	Deadweight (horizontal) = retention x 70% ↓						
	V(mm/sec)						
	50(mm/sec)	±0.7	±0.8	±0.9	±0.8	±0.8	±1
	100(mm/sec)	±1	±1	±1	±1	±1.2	±1.4
	200(mm/sec)	±1.3	±1.6	±1.4	±1.8	±2.1	±2.4
The range of temperature	-10 ~ +60 °C (Don't freeze)						
Material of cylinder barrel	Aluminium extrusion, Anodised 20 microns						

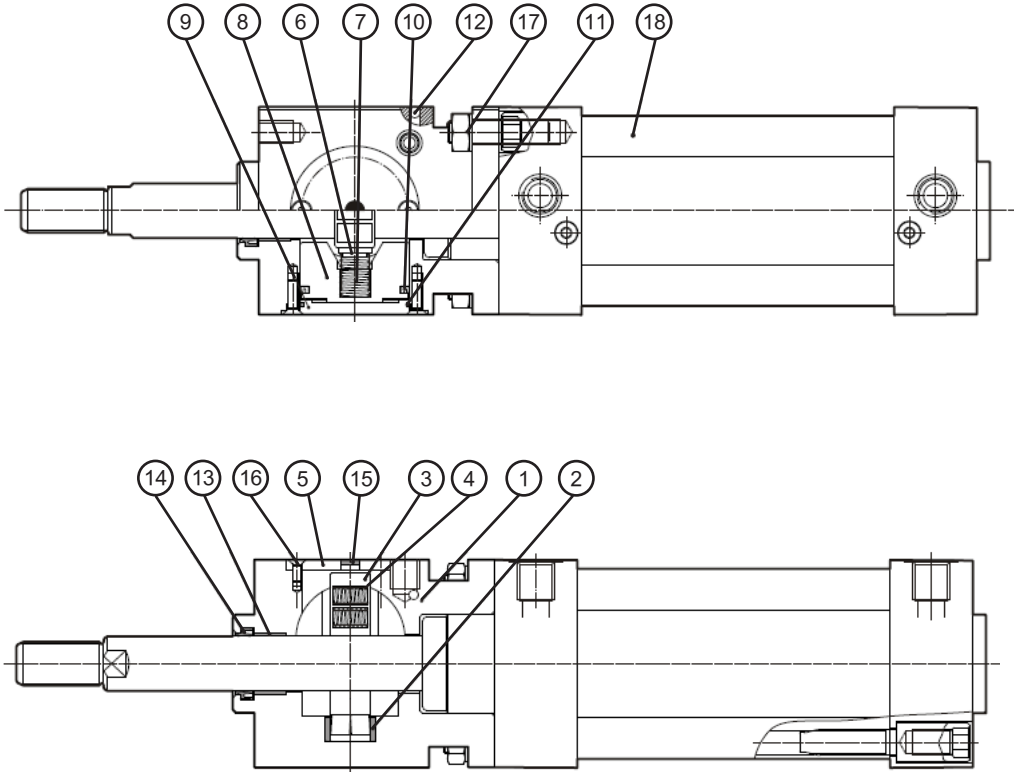
How to order



Stroke table

Bore	Stroke (mm)
Φ 32、40、50、63、80、100	25,50,75,100,125,150,175,200,250,300,350,400,450,500

AZB Double acting type / Inside structure

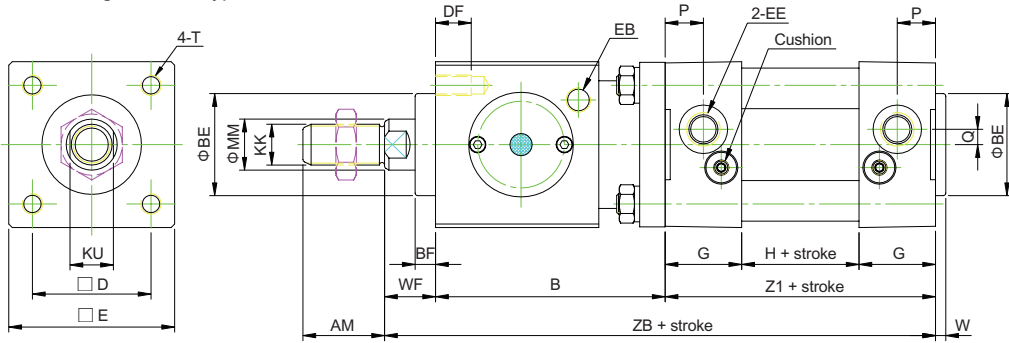


Parts list

No.	Part name	Quantity	No.	Part name	Quantity	No.	Part name	Quantity
1	Brake	1	7	Compression spring	2	13	Oilless bearing	1
2	Bush	1	8	Piston	2	14	Rod packing	1
3	Holding plate	2	9	End cap	2	15	Anti-noise shim	1
4	Compression spring	5	10	Piston packing	2	16	Hexagon socket head screw	10
5	Dust-proof cover	1	11	Gasket	2	17	Tie bolt	4
6	Top plate	2	12	Ball	1	18	Cylinder tube	1

AZ

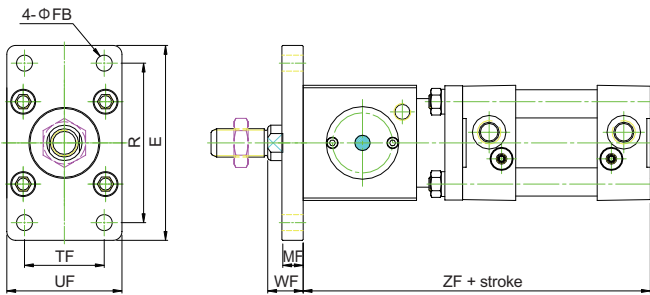
AZB Double acting standard type / Dimensional features



Dimensional Table

Mark Bore	AM	B	BE	BF	D	E	EE	EB	G	H	W	KK	KU	MM	NM	P	Q	T	WF	Z1	ZB
Φ32	22	73	30	8	32.5	47	G 1/8	G 1/8	26	42	4	M10x1.25	10	12	12	10	4.5	M6	18	94	185
Φ40	24	76	35	8	38	53	G 1/4	G 1/8	30	45	5	M12x1.25	14	16	12	15	5	M6	18	105	199
Φ50	32	90	40	8	46.5	65	G 1/4	G 1/8	30	46	5	M16x1.5	17	20	14	15	6	M8	20	106	216
Φ63	32	92	45	10	56.5	75	G 3/8	G 1/8	32	57	4	M16x1.5	17	20	14	16	8	M8	22	121	235
Φ80	40	110	45	10	72	95	G 3/8	G 1/4	38	52	6	M20x1.5	22	25	16	19	9	M10	24	128	262
Φ100	40	130	55	10	89	115	G 1/2	G 1/4	40	58	6	M20x1.5	22	25	16	20	7	M10	26	138	294

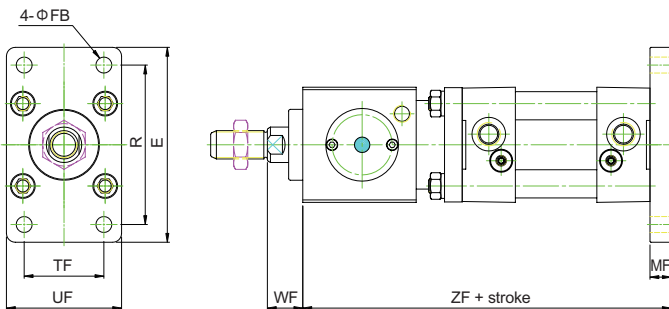
FA Accessories



Dimensional Table

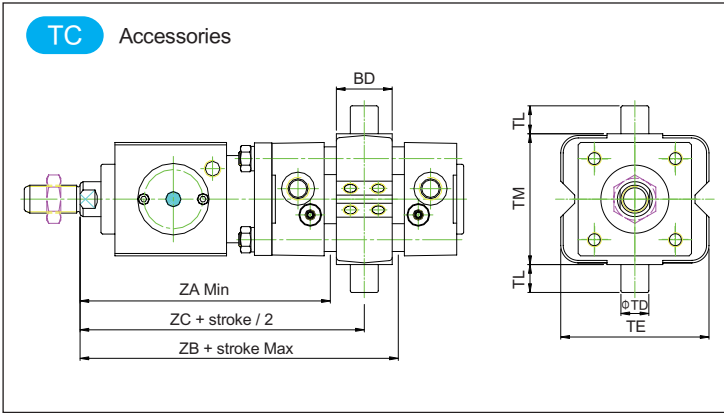
Mark Bore	E	FB	MF	R	TF	UF	WF	ZF
Φ32	79	7	10	64	32	50	18	171
Φ40	90	9	10	72	36	55	18	186
Φ50	110	9	12	90	45	65	20	201
Φ63	120	9	12	100	50	75	22	217
Φ80	153	12	16	126	63	95	24	244
Φ100	178	14	16	150	75	115	26	274

FB Accessories



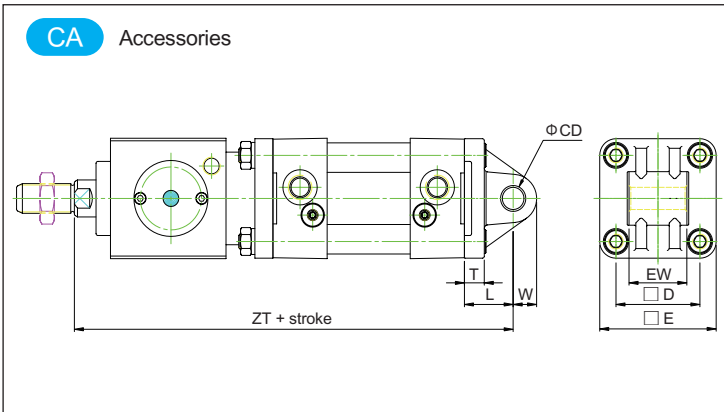
Dimensional Table

Mark Bore	E	FB	MF	R	TF	UF	WF	ZF
Φ32	79	7	10	64	32	50	18	195
Φ40	90	9	10	72	36	55	18	209
Φ50	110	9	12	90	45	65	20	228
Φ63	120	9	12	100	50	75	22	247
Φ80	153	12	16	126	63	95	24	278
Φ100	178	14	16	150	75	115	26	310



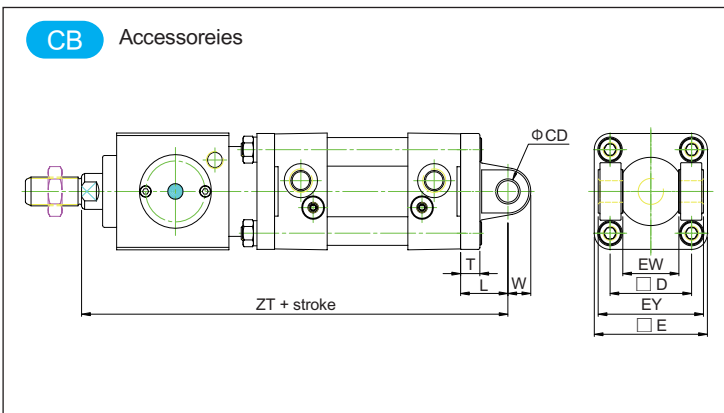
Dimensional Talbe

Mark Bore	E	FB	MF	R	TF	UF	WF	ZF
Φ32	79	7	10	64	32	50	18	171
Φ40	90	9	10	72	36	55	18	186
Φ50	110	9	12	90	45	65	20	201
Φ63	120	9	12	100	50	75	22	217
Φ80	153	12	16	126	63	95	24	244
Φ100	178	14	16	150	75	115	26	274



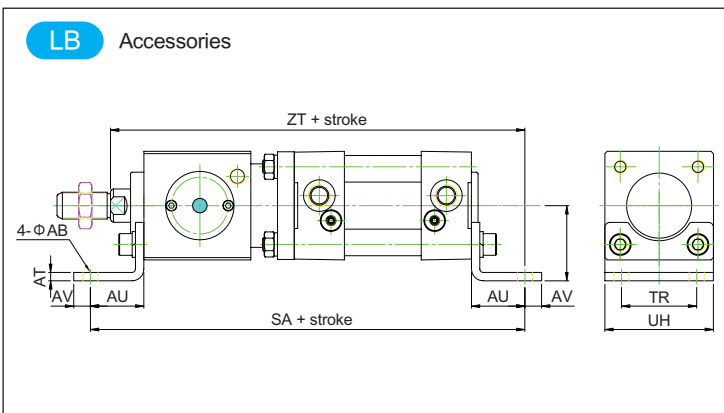
Dimensional Talbe

Mark Bore	E	FB	MF	R	TF	UF	WF	ZF
Φ32	79	7	10	64	32	50	18	195
Φ40	90	9	10	72	36	55	18	209
Φ50	110	9	12	90	45	65	20	228
Φ63	120	9	12	100	50	75	22	247
Φ80	153	12	16	126	63	95	24	278
Φ100	178	14	16	150	75	115	26	310



Dimensional Talbe

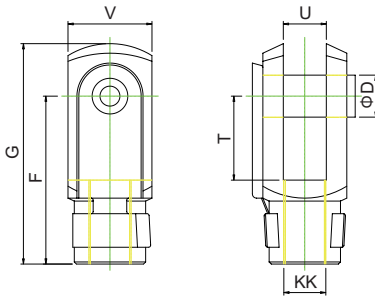
Mark Bore	CD	D	E	EW	EY	L	T	W	ZT
Φ32	10	32.5	47	26	45	22	10	10.5	207
Φ40	12	38	53	28	52	25	10	13	224
Φ50	12	46.5	65	32	60	27	12	13	243
Φ63	16	56.5	75	40	70	32	12	17	267
Φ80	16	72	95	50	90	36	16	17	298
Φ100	20	89	115	60	110	41	16	21	335



Dimensional Talbe

Mark Bore	AB	AH	AT	AU	AV	SA	TR	UH	ZT
Φ32	7	32	5	24	8	215	32	47	209
Φ40	9	36	5	28	10	237	36	53	227
Φ50	9	45	5	32	10	260	45	65	248
Φ63	9	50	5	32	10	277	50	75	267
Φ80	12	63	6	41	13	320	63	95	303
Φ100	14	71	6	41	15	350	75	115	335

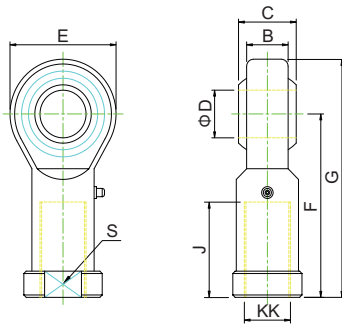
Y Rod clevis / Accessories



Dimensional Talbe

Mark Bore	D	F	G	KK	T	U	V
Φ 32	10	40	52	M10x1.25	20	10	20
Φ 40	12	48	62	M12x1.25	24	12	24
Φ 50、63	16	64	83	M16x1.5	32	16	32
Φ 80、100	20	80	105	M20x1.5	40	20	40

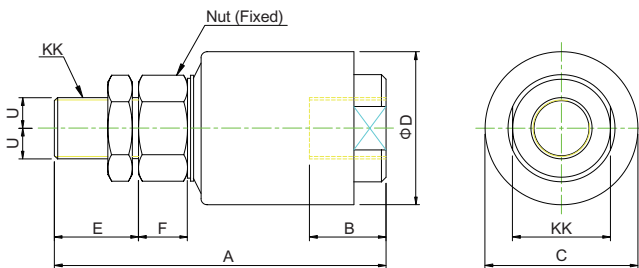
S Oscillating eye / Accessories



Dimensional Talbe

Mark Bore	B	C	D	E	F	G	J	KK	S
Φ 32	10.5	14	10	28	43	57	20	M10x1.25	17
Φ 40	12	16	12	30	50	65	24	M12x1.25	19
Φ 50、63	15	21	16	38	64	80	33	M16x1.5	22
Φ 80、100	18	25	20	46	77	100	40	M20x1.5	30

F Compensating / Accessories



Dimensional Talbe

Mark Bore	A	B	C	D	E	F	KK	U
Φ 32	54	13	24	25.5	12.5	8	M10x1.25	1
Φ 40	71	17	29	31	16	10	M12x1.25	1.15
Φ 50、63	88	21	27	38	24	13	M16x1.5	1.65
Φ 80、100	105	25	32	50	27.5	16	M20x1.5	2.15