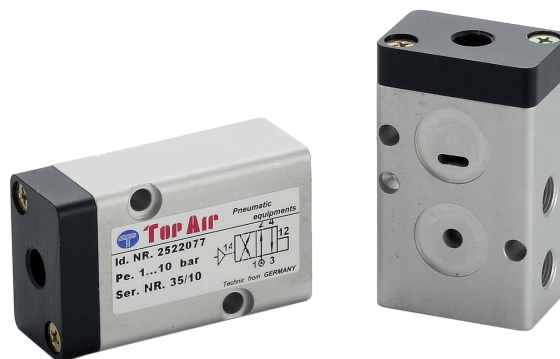


## NAMUR series

### Norminal Size 4

Solenoid pilot actuated  
 Spool with pressure energized soft seals  
 Port size G1/8, manifold system G1/4  
 Operating pressure : 1 to 10 bar




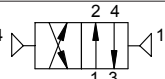
### Features

- Straight manual override with and without detent
- Mounting position optional
- Small size, high flow rate, easy installation
- Exhaust air attenuated
- Common exhaust
- Connector interface to DIN 43650, from B and industrial form
- Low power consumption

### Description (Standard type)

- Solenoid valve for filtered, lubricator\* or non-lubricated air
- Flow direction : Fixed
- Temperature range : -10 °C ~ +60 °C
- Material - Body : Aluminum
- Material - Seat Seal : NBR

### Parameters

Symbol	Cat. No. Valve	Nominal size (ND)	Port size (G)	Operating pressure[bar]		Flow rate QN [l/min]	Switching time* approx.[ms]		Weight [kg]	Solenoid and Connector
				min.	max.		ON	OFF		
	2522077	4	G1/8	1	10	700	20	20	0.3	—
	2522177	4	G1/8	1	10	700	11	12	0.4	

\* Oil recommendation : Shell Hydrol DO 32, Shell Febis K32 (as of July 1992) or compatible oils with DVI values < 8 (DIN53521) and ISO viscosity class 32-46 (DIN51519)

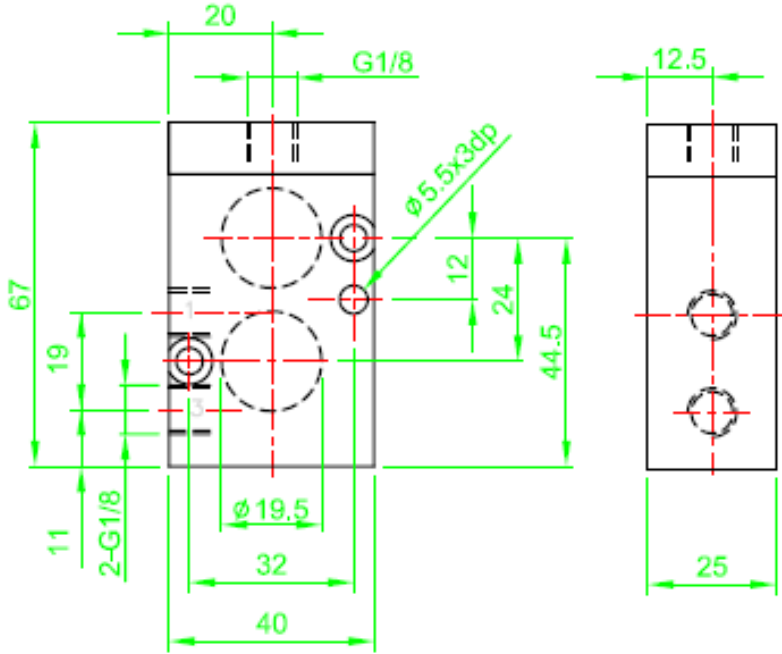
\* at 6 bar to VDI3290with DC solenoid

### How to Order

example : 2522077 X 5  
Valve Quantity

**Dimensional drawings**

Cat. No. : 2522077



Cat. No. : 2522177

