

Nominal Size 1.3 and 1.1

Directly solenoid actuated
 Poppet valves, normally closed
 Internal thread, battery type design
 Port size G1/4, G1/8
 Operating pressure : 10 bar Max.

Features

- Compact design
- Interchangeable solenoid system
- Also suited for coarse vacuum
- Exhaust port provided with silencer
- With manual override
- Mounting position optional



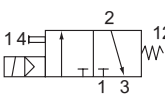
Description (Standard type)

- Solenoid valve for filtered, lubricator or non-lubricated air
- Flow direction : Fixed
- Temperature range : -10 °C ~ +60 °C
- Material - Body : Aluminum
- Material - Seat Seal : NBR

Further versions available on request

- Other body-and sealing materials
- Further pressure ranges

Parameters

Symbol	Cat. No. Valve	Nominal size (ND)	Port size (G)	Operating pressure[bar]*		Flow rate QN [l/min]	Switching time approx.[ms]		Weight [kg]	Solenoid and Connector
				min.	max.		on	off		
	Power consumption 3W (5VA)									
	9032830	1.3	G1/4	0	10	110	18	20	0.25	See solenoid and connector table
	9032930	1.3	G1/8	0	10	110	18	20	0.16	
	9032950	1.3	G1/8	0	10	110	18	10	0.16	
9032730	1.1	G1/8	0	10	24	5	15	0.08		

- * At pressure of 6 bar to VDI 3290, with DC type solenoid
- Option : Flat Manual override
 - Tight solenoid core tube with at least 0.2 to max. 0.5 Nm

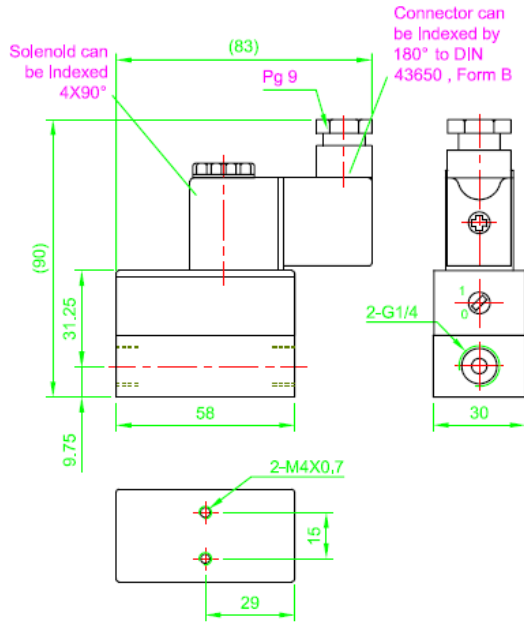
How to Order

example : 9032830 · 3052 · DC24V X 5

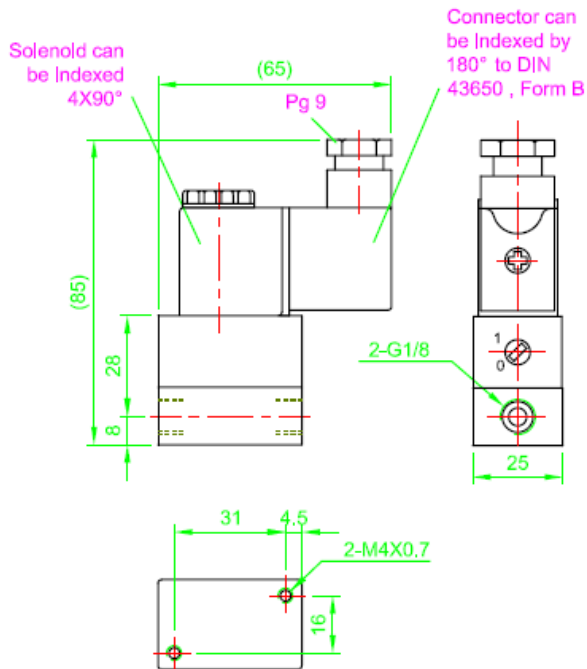
Valve
Solenoid
Voltage
Quantity

Dimensional drawings

Cat. No. : 9032830

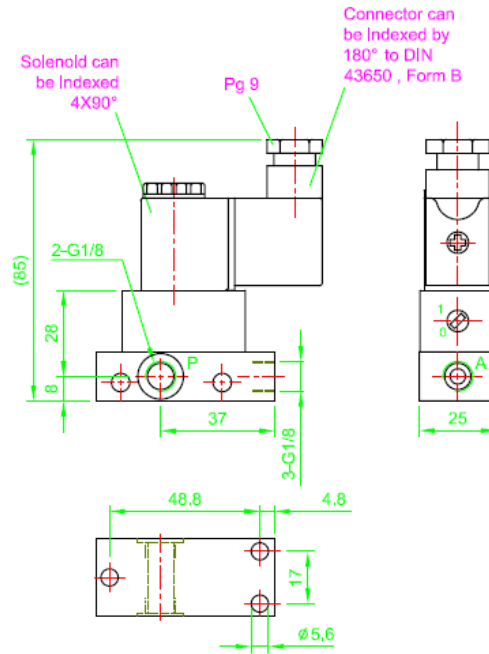


Cat. No. : 9032930



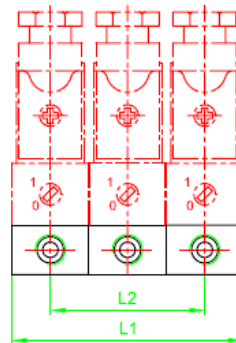
Dimensional drawings

Cat. No. : 9032950



Mounting assembly dimensional features

Cat. No. : 9032950-No.



Dimension table

Unit : mm

Cat. No.	Valve No.	L1	L2	Cat. No.	Valve No.	L1	L2
9032950-01	1	25	—	9032950-06	6	150	125
9032950-02	2	50	25	9032950-07	7	175	150
9032950-03	3	75	50	9032950-08	8	200	175
9032950-04	4	100	75	9032950-09	9	225	200
9032950-05	5	125	100	9032950-10	10	250	225

Dimensional drawings

Cat. No. : 9032730

