

Normal Size 7

Poppet valves, normally closed
 Port size G1/4, G3/8, G1/2
 Operating pressure : 10 bar Max.
 Blow only

Features

- Compact design
- Interchangeable solenoid system
- With manual override
- Mounting position optional

Description (Standard type)

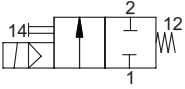
- Solenoid valve for filtered, lubricator or non-lubricated air
- Temperature range : -10 °C ~ +60 °C
- Material - Body : Aluminum
- Material - Seat Seal : PU



Further versions available on request

- Other body-and sealing materials
- Further pressure ranges

Parameters

Symbol	Cat. No. Valve	Nominal size (ND)	Port size (G)	Operating pressure[bar]*		Switching time approx.[ms]		Weight [kg]	Solenoid and Connector
				min.	max.	on	off		
	Power consumption 3W (5VA)								
	9032860	7	G1/4	1.5	10	18	20	0.25	See solenoid and connector table
	9032960	7	G3/8	1.5	10	18	20	0.25	
9032060	7	G1/2	1.5	10	18	20	0.25		

- * At pressure of 6 bar to VDI 3290, with DC type solenoid
- Option : Flat Manual override
 - Part 2 don't commit to load and plug.

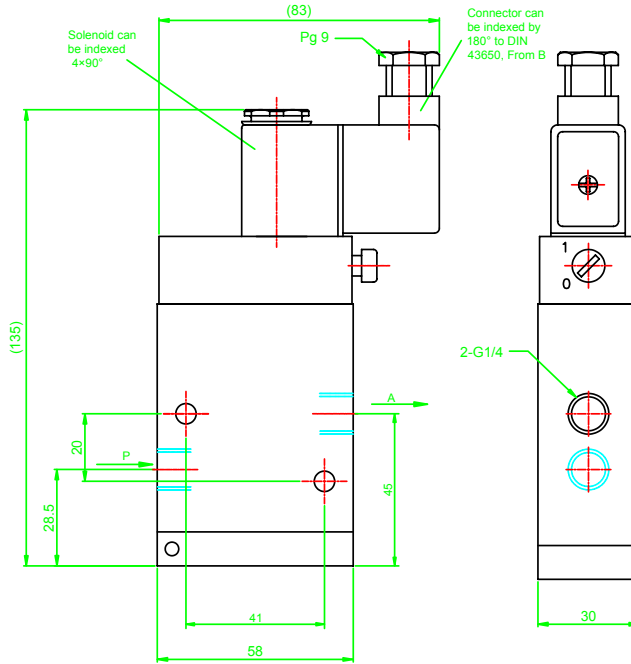
How to Order

example : 9032860 · 3052 · DC24V X 5

Valve
 Solenoid
 Voltage
 Quantity

Dimensional drawings

Cat. No. : 9032860



Cat. No. : 9032960

