



PIVOT TYPE.....	10H-6	
FRONT NOSE MOUNTING TYPE.....	10H-6A	
DOUBLE END ROD TYPE.....	10H-6D	
ADJUSTABLE FOWARD STROKE TYPE.....	10H-6N	

Features

- The cylinders usually are combined with AZO air-hydro converter to provide a smooth motion by using hydraulic fluid instead of air due to the un-stable compressed feature.

Specification

Type	10H-6	10H-6A	10H-6D	10H-6N
Bore	Φ 20、25、32、40			
Power fluid	Filtered air with or without lubrication			
The range of pressure	1.02 ~ 10.5 kgf/cm ²			
The range of temperature	-5 ~ +60 °C (Don't freeze)			
Piston speed	3 ~ 300 mm/s			
Material of cylinder barrel	Stainless steel			

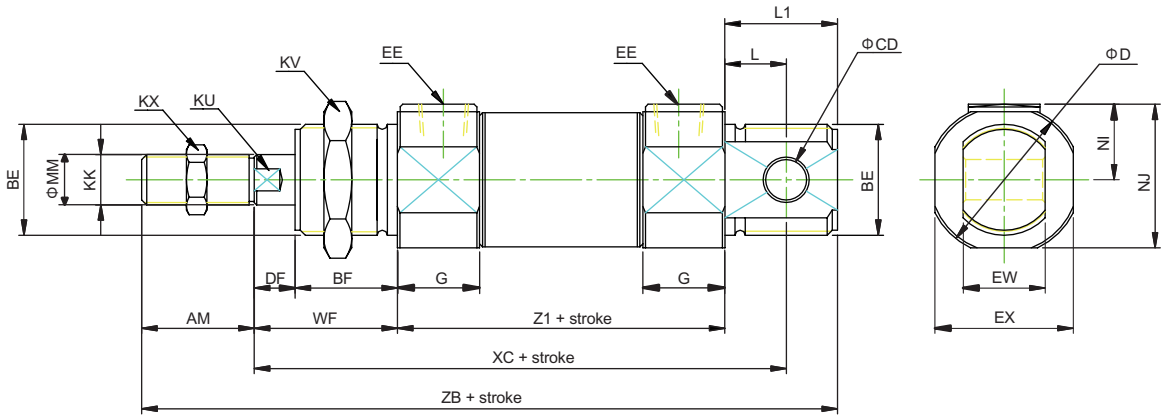
How to order

10H-6	SD	25	B	50	B	3	-	Y	-	A	1
Type	Holder	Bore	Cushion	Stroke	Adjustable stroke	Oil in		Accessories		Sensor switch	Quantity
 10H-6	 SD	20 : Φ20 25 : Φ25 32 : Φ32 40 : Φ40	N : No cushion B : With cushion	Please see stroke table	No code : standard type A : Adjustable 25mm B : Adjustable 50mm	1.Oil in rod side 2.Oil in head side 3.Oil in both side		 Y : Y type		DI106	1 : 1pc 2 : 2pcs
 10H-6A	 FA							 I : I type			
 10H-6D	 FB							 S : Oscillating eye			
 10H-6N	 LB							 F : Compensating joint			

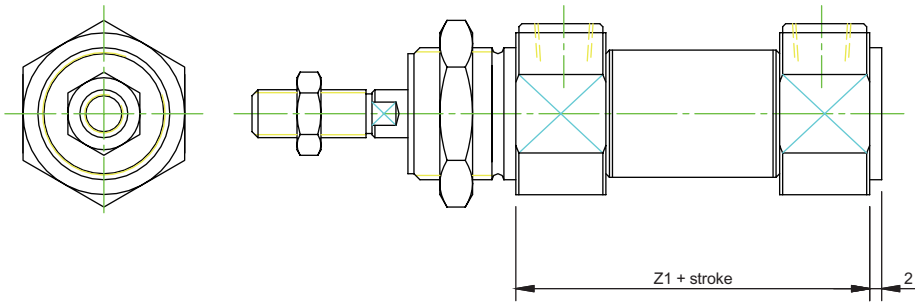
Stroke table

Bore	Stroke (mm)
Φ 20、25、32、40	25,50,75,100,125,150,175,200,250,300

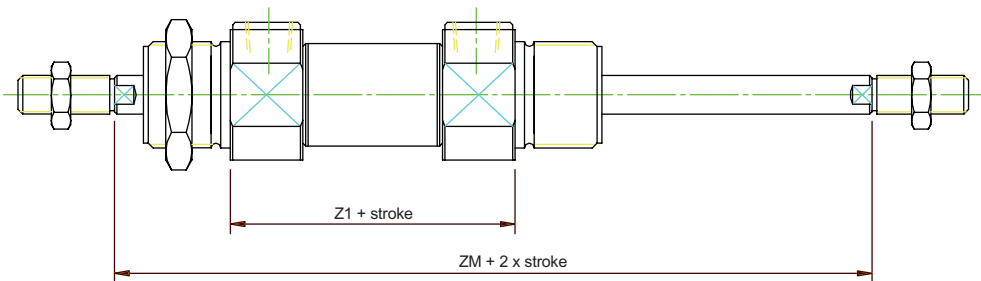
10H-6 Pivot type / Dimensional features



10H-6A Front nose mounting type / Dimensional features



10H-6D Double end rod type / Dimensional features

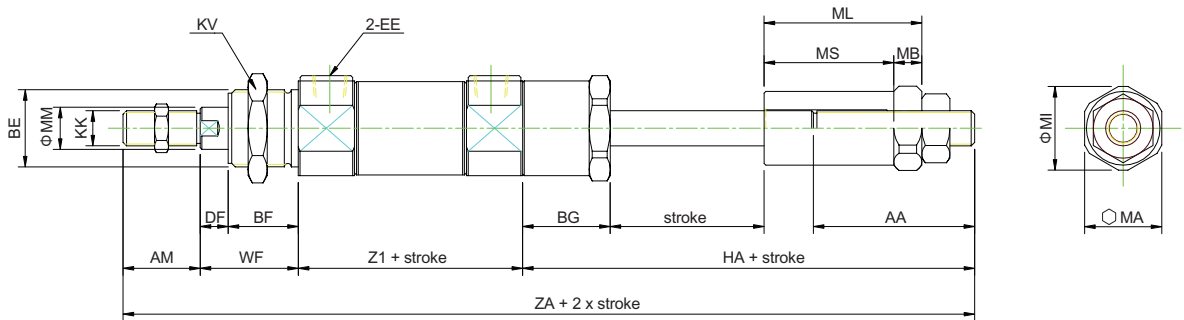


Dimensional table

Mark Bore	AM	BE	BF	CD	D	DF	EE	EX	EW	G	KK	KU	KV	KX	L	L1	MM	NI	NJ	WF	XC	Z1	ZB	ZM
Φ20	20	M22x1.5	18	8	30	6	PT1/8	27	16	15	M8x1.25	7	27	14	12	22	8	15	28.5	24	95	59	125	107
Φ25	22	M22x1.5	20	8	30	8	PT1/8	27	16	16	M10x1.25	9	27	17	12	22	10	15	28.5	28	104	64	136	120
Φ32	23	M27x2.0	20	10	38	8	PT1/8	35	20	16	M10x1.25	10	35	17	15	27	12	19	36.5	28	115	72	150	128
Φ40	23	M33x2.0	20	10	45	8	PT1/8	42	20	16	M14x1.5	14	41	22	15	27	16	22.5	43.5	28	115	72	150	128

10H-6N Adjustable forward stroke type / Dimensional features

● Adjustable 25mm

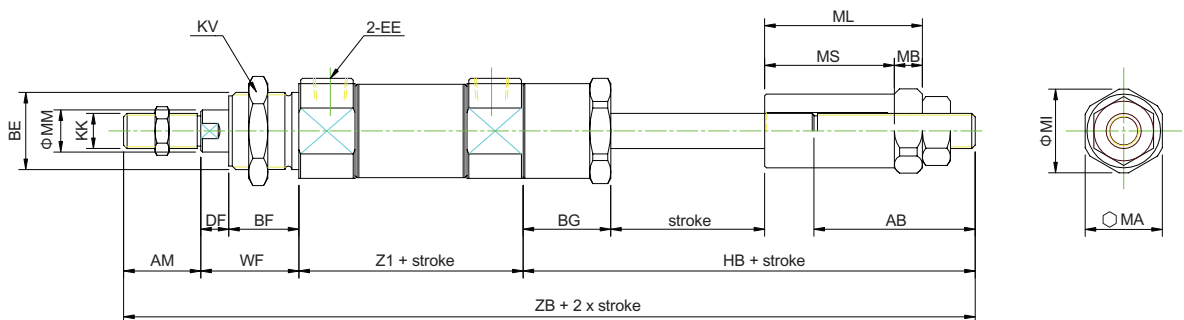


Dimensional table

Mark Bore	AA	AM	BE	BF	BG	DF	EE	HA	KK	KV	MA	MB	MI	ML	MM	MS	WF	Z1	ZA
Φ20	45	20	M22x1.5	18	25	6	PT1/8	78	M8x1.25	27	22	8	24	43	8	33	24	59	181
Φ25	46	22	M22x1.5	20	25	8	PT1/8	79	M10x1.25	27	22	8	24	45	10	35	28	64	193
Φ32	46	23	M27x2.0	20	25	8	PT1/8	79	M10x1.25	35	27	10	29	45	12	35	28	72	202
Φ40	50	23	M33x2.0	20	25	8	PT1/8	83	M14x1.5	41	32	10	35	47	16	35	28	72	206

10H-6N Adjustable forward stroke type / Dimensional features

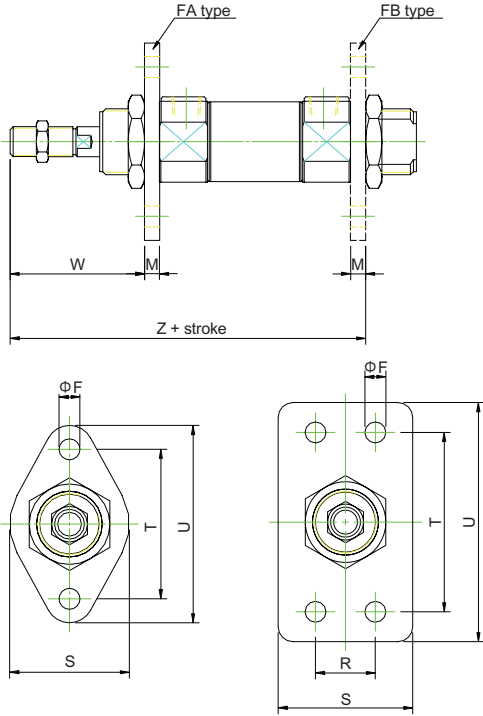
● Adjustable 50mm



Dimensional table

Mark Bore	AB	AM	BE	BF	BG	DF	EE	HB	KK	KV	MA	MB	MI	ML	MM	MS	WF	Z1	ZB
Φ20	70	20	M22x1.5	18	25	6	PT1/8	103	M8x1.25	27	22	8	24	68	8	58	24	59	206
Φ25	71	22	M22x1.5	20	25	8	PT1/8	104	M10x1.25	27	22	8	24	70	10	60	28	64	218
Φ32	71	23	M27x2.0	20	25	8	PT1/8	104	M10x1.25	35	27	10	29	70	12	60	28	72	227
Φ40	75	23	M33x2.0	20	25	8	PT1/8	108	M14x1.5	41	32	10	35	72	16	60	28	72	231

FA(FB) Accessories

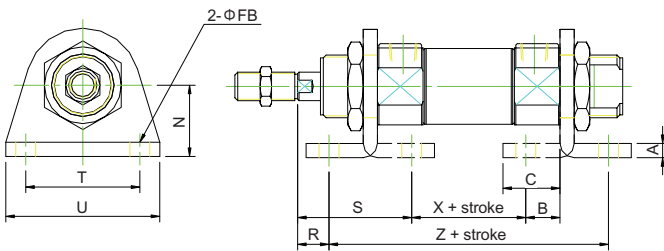


Dimensional table FA(FB) type

Mark Bore	S	F	M	R	T	U
Φ20	40	7	5	-	50	66
Φ25	40	7	5	-	50	66
Φ32	45	7	5	20	60	80
Φ40	50	9	5	30	80	100
Mark Bore	W	Z				
Φ20	19	88				
Φ25	23	97				
Φ32	23.5	104.5				
Φ40	23.5	104.5				

10H-6

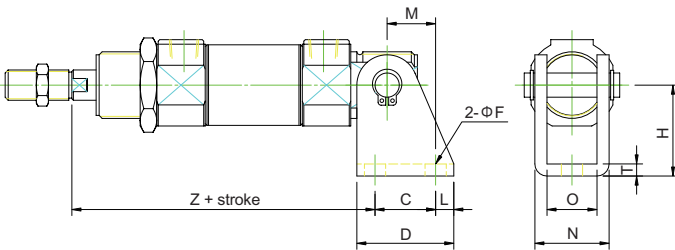
LB Accessories



Dimensional table LB type

Mark Bore	A	B	C	FB	N	X
Φ20	5	17	25	7	25	35
Φ25	5	17	25	7	25	40
Φ32	5	20	30	7	35	42
Φ40	5	20	30	9	40	42
Mark Bore	Z	T	U	R	S	
Φ20	93	40	54	7	36	
Φ25	98	40	54	11	40	
Φ32	112	40	55	8	43.5	
Φ40	112	50	75	8	43.5	

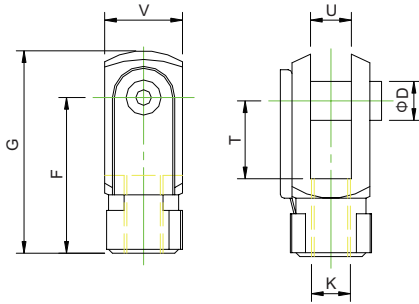
CU Accessories



Dimensional table CU type

Mark Bore	C	FB	D	H	L	M
Φ20	20	7	32	30	6	16
Φ25	20	7	32	30	6	16
Φ32	25	7	40	40	7.5	20
Φ40	25	9	40	40	7.5	20
Mark Bore	N	O	T	Z		
Φ20	24	16	4	91		
Φ25	24	16	4	100		
Φ32	28	20	4	110		
Φ40	28	20	4	110		

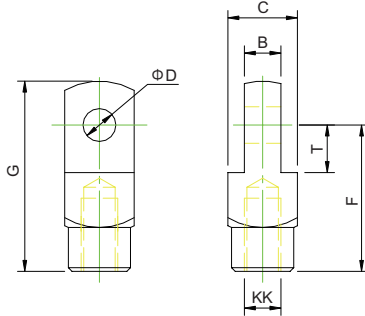
Y Rod clevis / Accessories



Dimensional table

Mark Bore	D	F	G	K	T	U	V
Φ20	8	32	42	M8x1.25	16	8	16
Φ25、32	10	40	52	M10x1.25	20	10	20
Φ40	10	45	58	M14x1.5	20	14	25

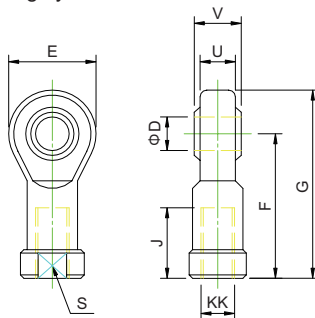
I I Rod end mounting / Accessories



Dimensional table

Mark Bore	D	F	G	KK	T	U	V
Φ20	8	32	42	M8x1.25	11	8	16
Φ25、32	10	40	52	M10x1.25	13	10	19
Φ40	10	45	57	M14x1.5	13	14	25.4

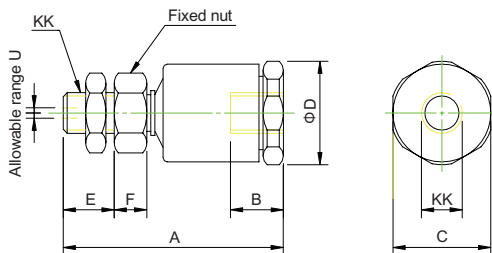
S Oscillating eye / Accessories



Dimensional table

Mark Bore	B	C	D	E	F	G	J	KK	S
Φ20	9	12	8	22	36	47	17	M8x1.25	14
Φ25、32	10.5	14	10	26	43	56	21	M10x1.25	17
Φ40	13.5	19	14	34	57	74	27	M14x1.5	22

FT Compensating Joint / Accessories



Dimensional table

Mark Bore	A	B	C	D	E	F	K	U
Φ20	47	11	19	20	13	6.5	M8x1.25	0.75
Φ25、32	54	13	24	25.5	12.5	8	M10x1.25	1
Φ40	71	17	29	31	15	11	M14x1.5	1.15

10H-6

Cylinder weight

Unit : kg

Mark	10H-6		10H-6A		10H-6D		10H-6N			
	Bore	Basic weight	Stroke 25mm	Basic weight	Stroke 25mm	Basic weight	Stroke 25mm	Adjustable stroke 25mm		Adjustable stroke 50mm
Basic weight								Stroke 25mm	Basic weight	Stroke 25mm
Φ20	0.150	0.019	0.141	0.019	0.176	0.029	0.275	0.029	0.337	0.029
Φ25	0.190	0.027	0.185	0.027	0.236	0.043	0.377	0.043	0.473	0.043
Φ32	0.323	0.040	0.313	0.040	0.385	0.062	0.495	0.062	0.590	0.062
Φ40	0.495	0.059	0.482	0.059	0.610	0.098	0.788	0.098	0.927	0.098

Mounting weight

Unit : kg

Mark	FA / FB	LB	CU	Y	I	S	F	Nut (Rod)	Nut (Cover)
Φ20	0.049	0.173	0.064	0.046	0.044	0.053	0.061	0.005	0.011
Φ25	0.049	0.173	0.064	0.088	0.080	0.080	0.113	0.008	0.011
Φ32	0.099	0.218	0.089	0.088	0.080	0.080	0.113	0.008	0.030
Φ40	0.132	0.315	0.151	0.151	0.157	0.175	0.245	0.016	0.038